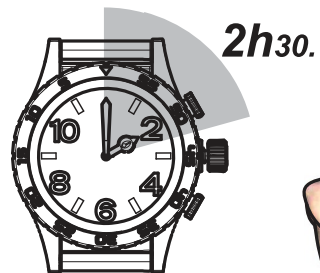
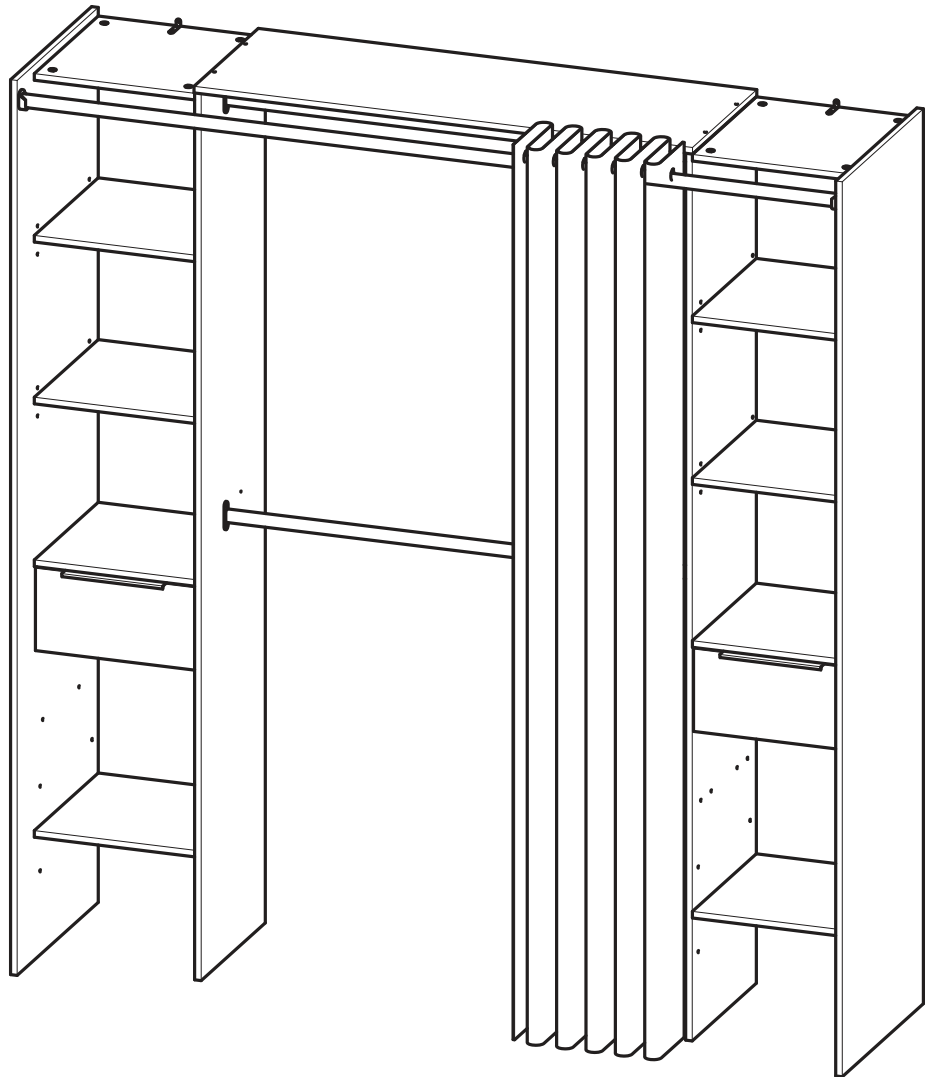
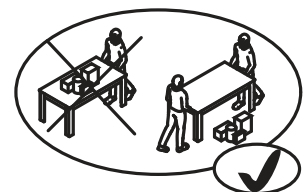
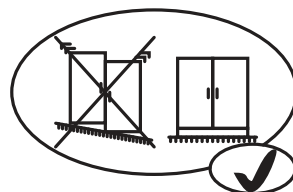
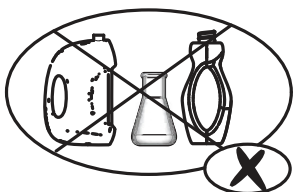
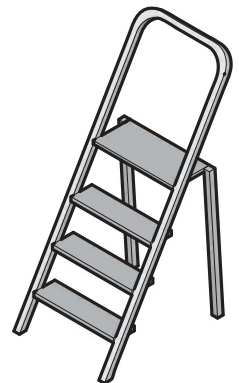
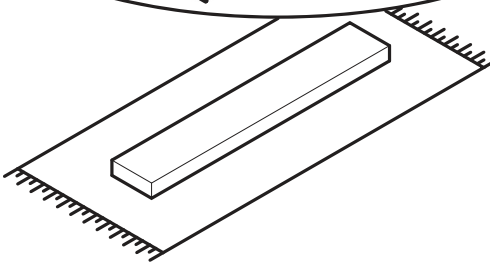
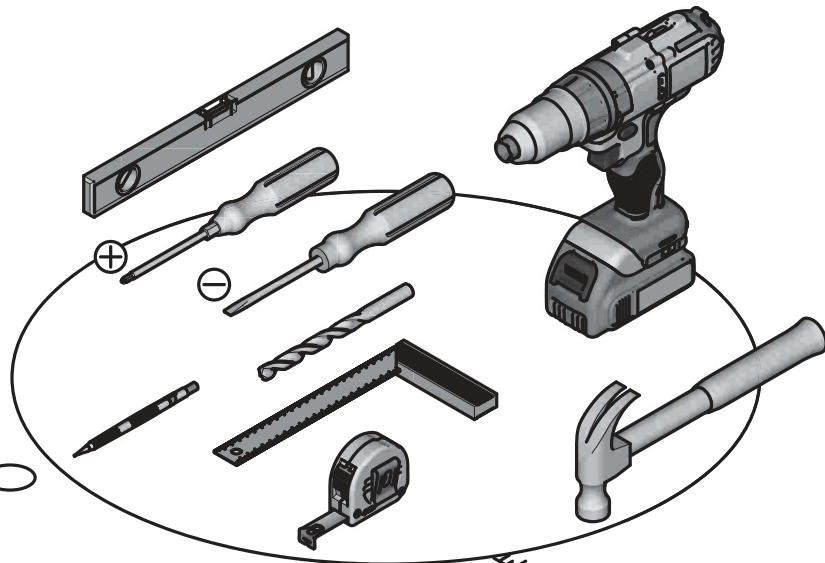
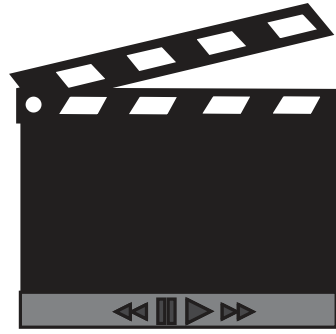
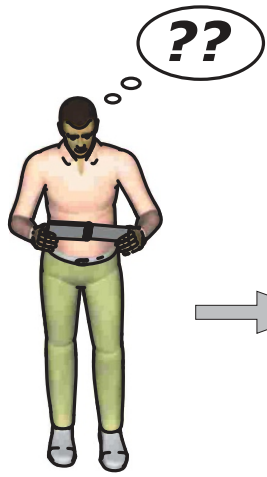
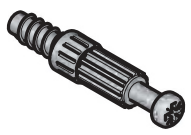


DANAS

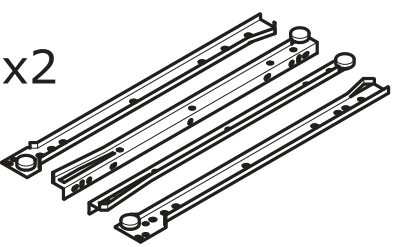







A x28 


B x24  $\varnothing 15mm$
 $\varnothing 19/32"$

C x2 


D x4 


E x16 

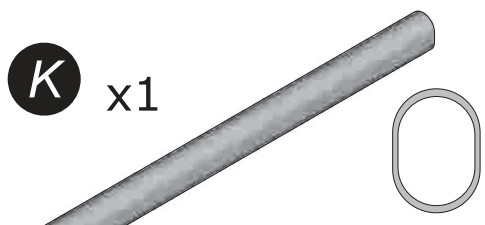
F x4  $5 \times 30mm$
 $3/16" \times 1 \ 3/16"$

G x16  $8 \times 30mm$
 $5/16" \times 1 \ 3/16"$

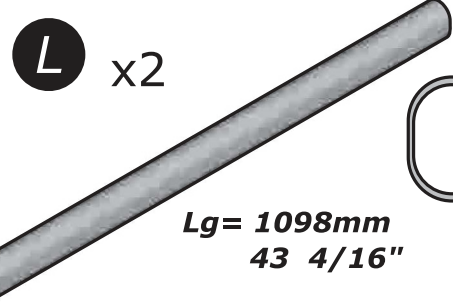
H x8  $6,3 \times 9mm$
 $1/4" \times 11/32"$

I x18  $3 \times 12mm$
 $1/8" \times 15/32"$

J x9  $3,5 \times 15mm$
 $1/8" \times 19/32"$

K x1 

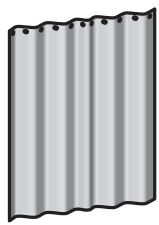
$Lg = 1860mm$
 $73 \ 4/16"$

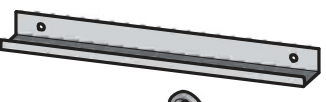
L x2  $Lg = 1098mm$
 $43 \ 4/16"$

M x2 

N x4 

O x1 

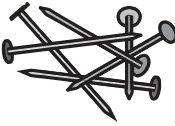
P x1 

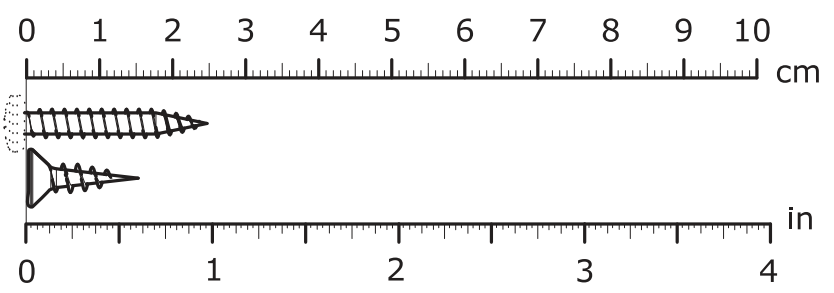
Q x2 

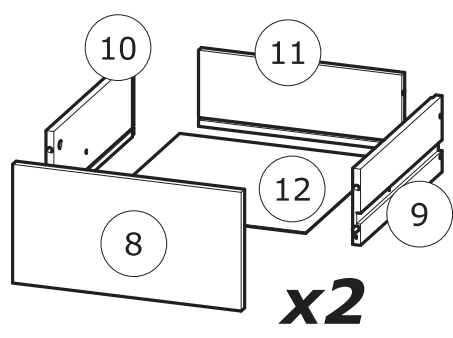
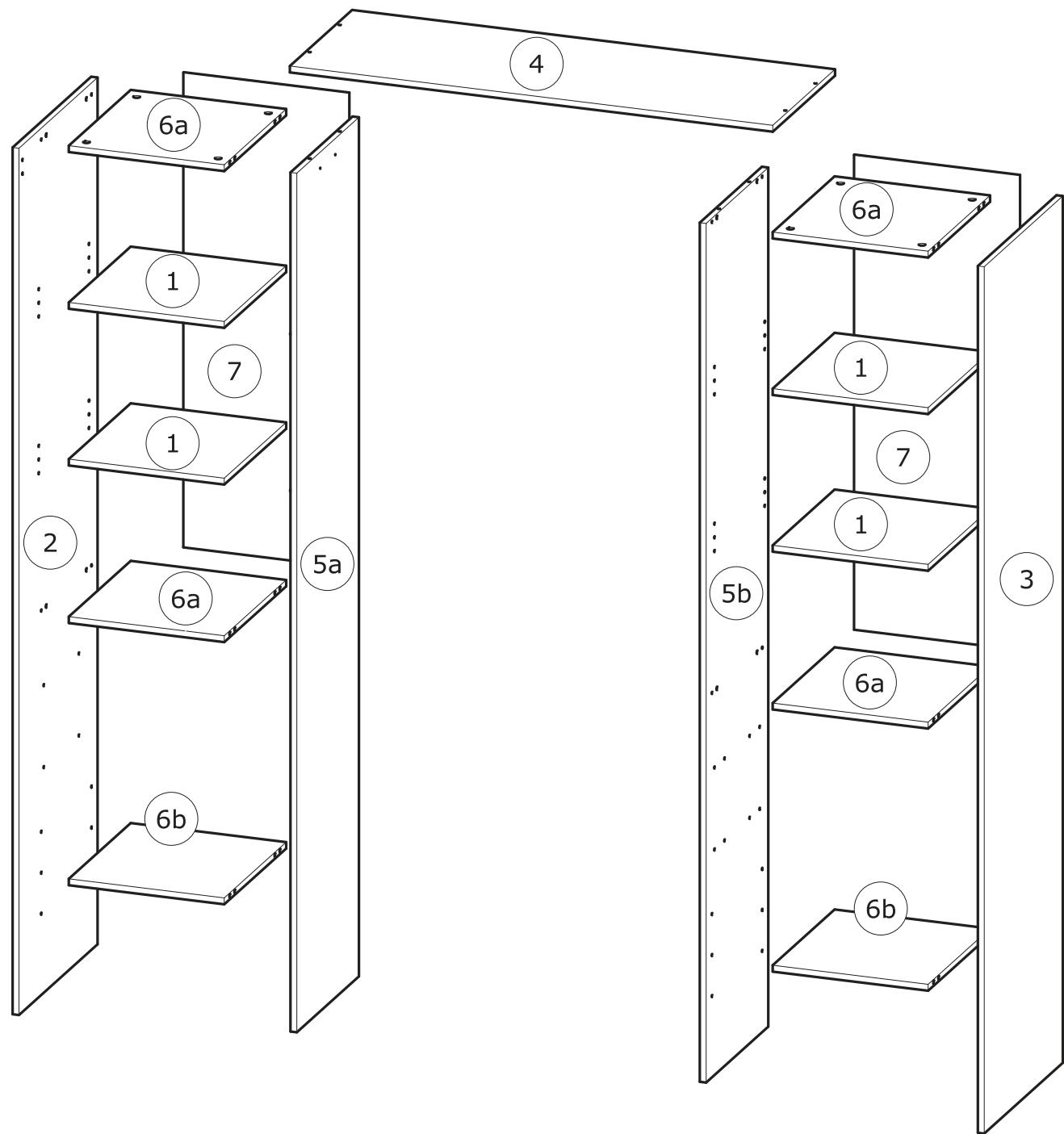
R x2 

S x8 

T x4  $\varnothing 12mm$
 $\varnothing 15/32"$

U x2  **x25**

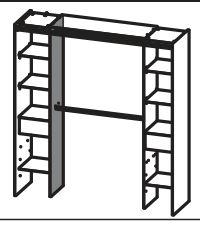




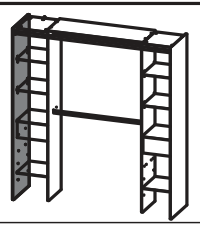
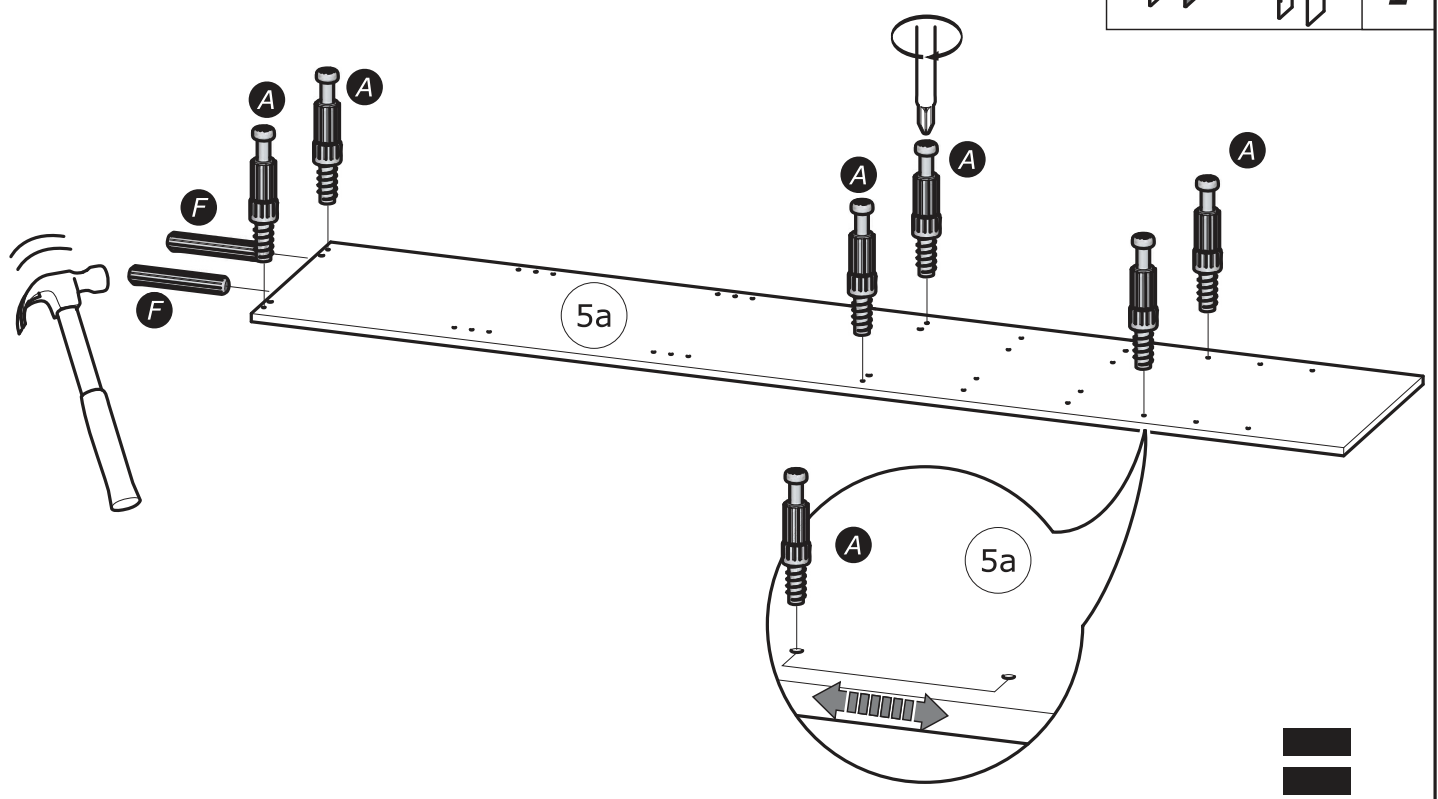
N°	MM						
1	366	x	395	14 7/16	x	15 9/16	4
2	2 030	x	501	79 15/16	x	19 12/16	1
3	2 030	x	501	79 15/16	x	19 12/16	1
4	1 137	x	397	44 12/16	x	15 10/16	1
5	2 012	x	396	79 3/16	x	15 9/16	2
6	366	x	395	14 7/16	x	15 9/16	6
7	1 112	x	390	43 12/16	x	15 6/16	2
8	362	x	187	14 4/16	x	7 6/16	2
9	350	x	120	13 12/16	x	4 12/16	2
10	350	x	120	13 12/16	x	4 12/16	2
11	322	x	120	12 11/16	x	4 12/16	2
12	328	x	348	12 15/16	x	13 11/16	2

F x2
5x30mm
3/16" x 1 3/16"

A x6

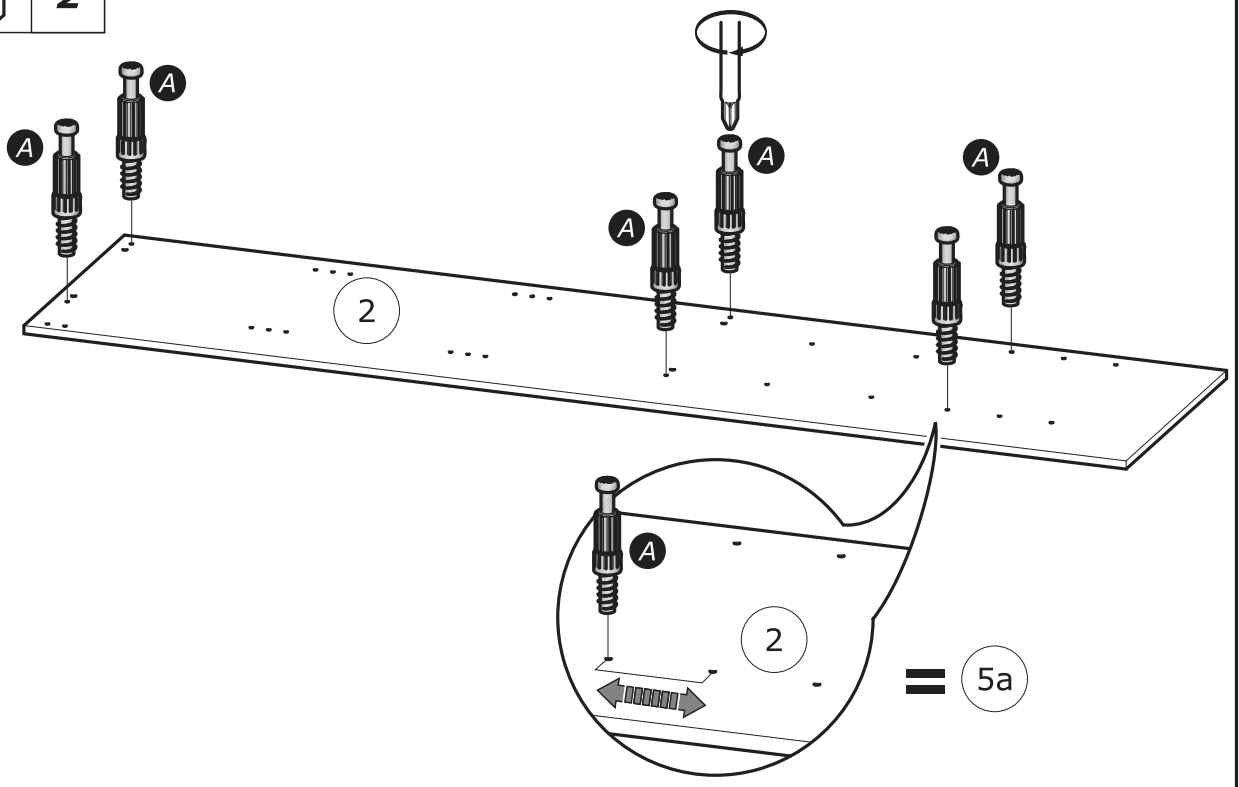
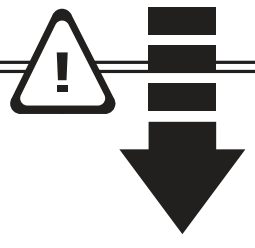


1

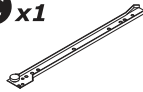


2

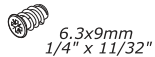
A x6



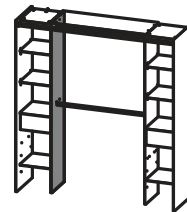
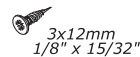
C x1



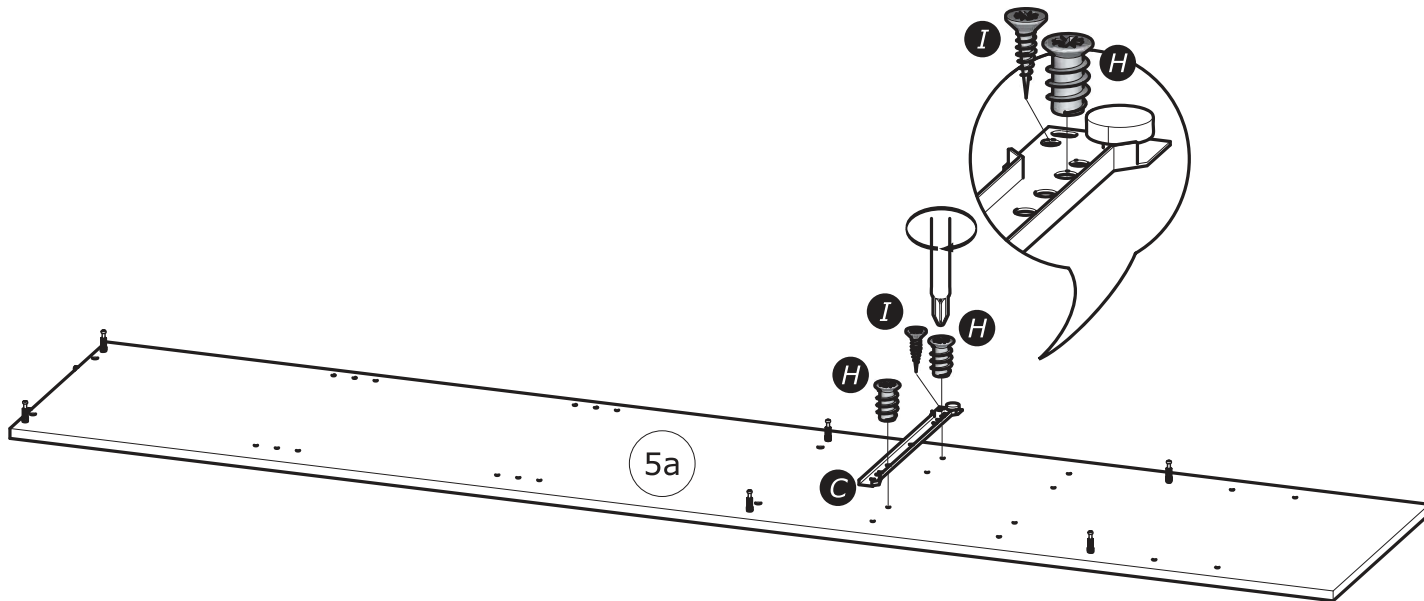
H x2



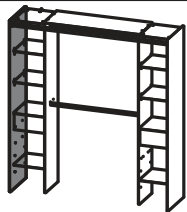
I x1



3

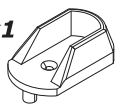


www.Demeyere.fr

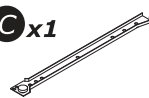


4

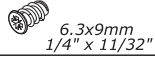
M x1



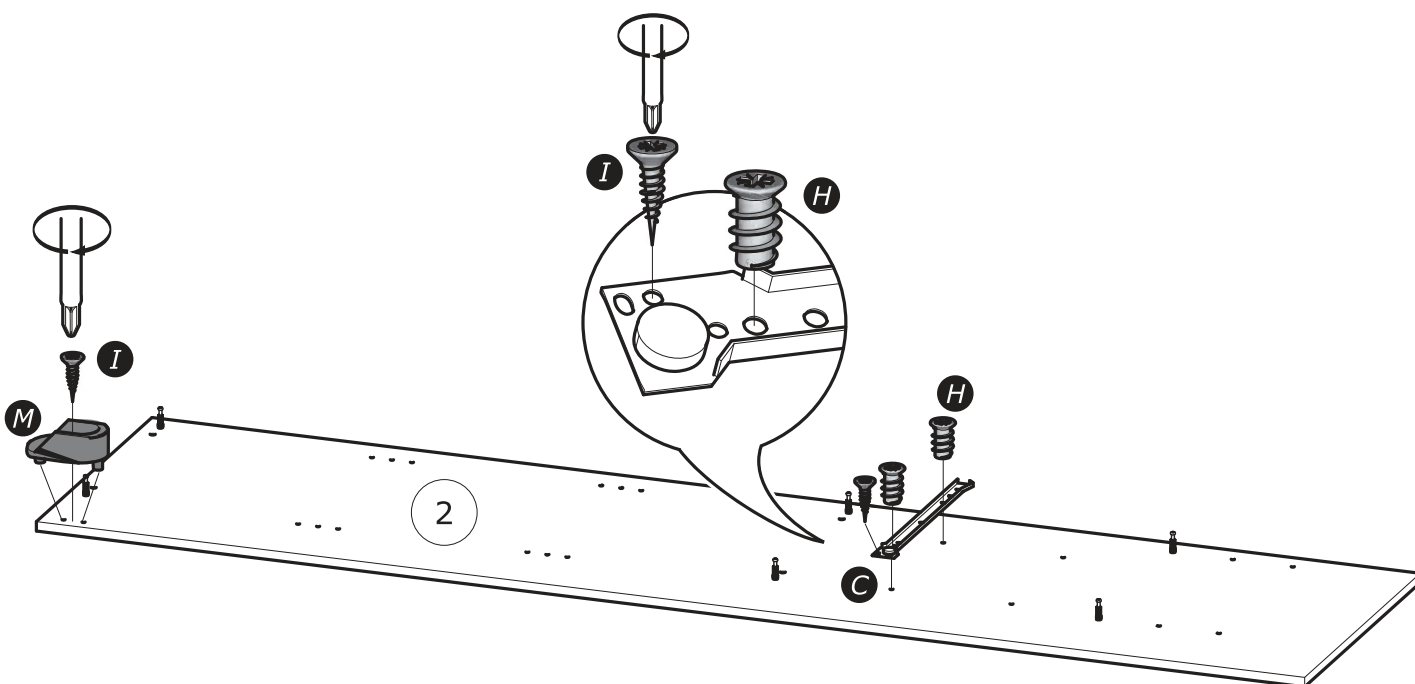
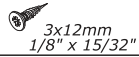
C x1

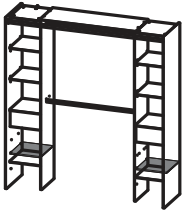


H x2



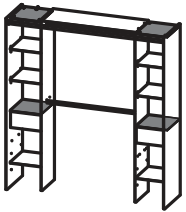
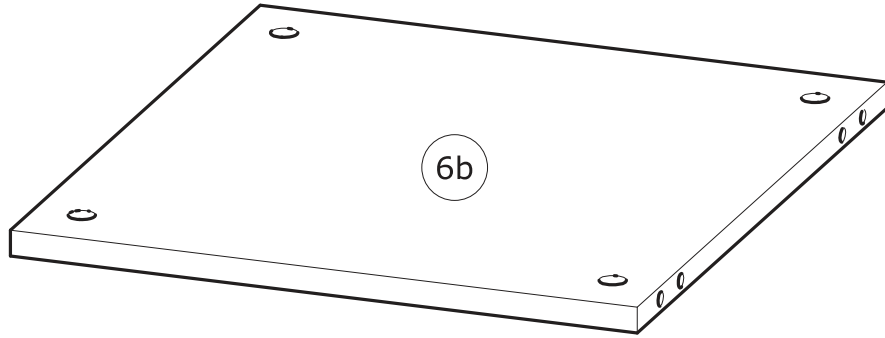
I x2



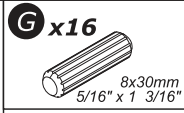


5

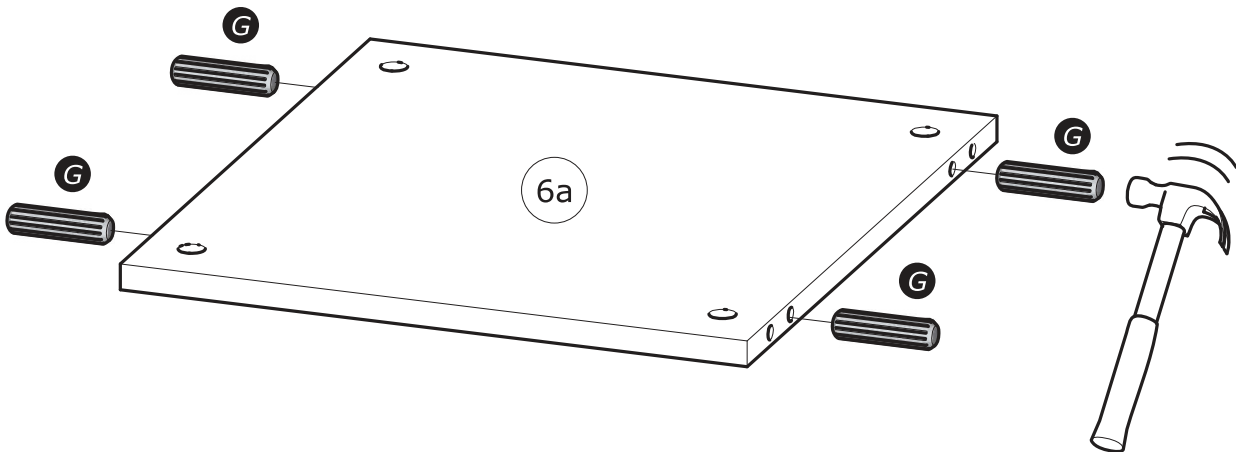
x2

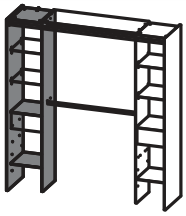


6



x4



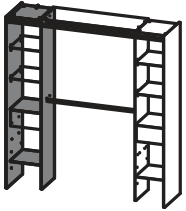
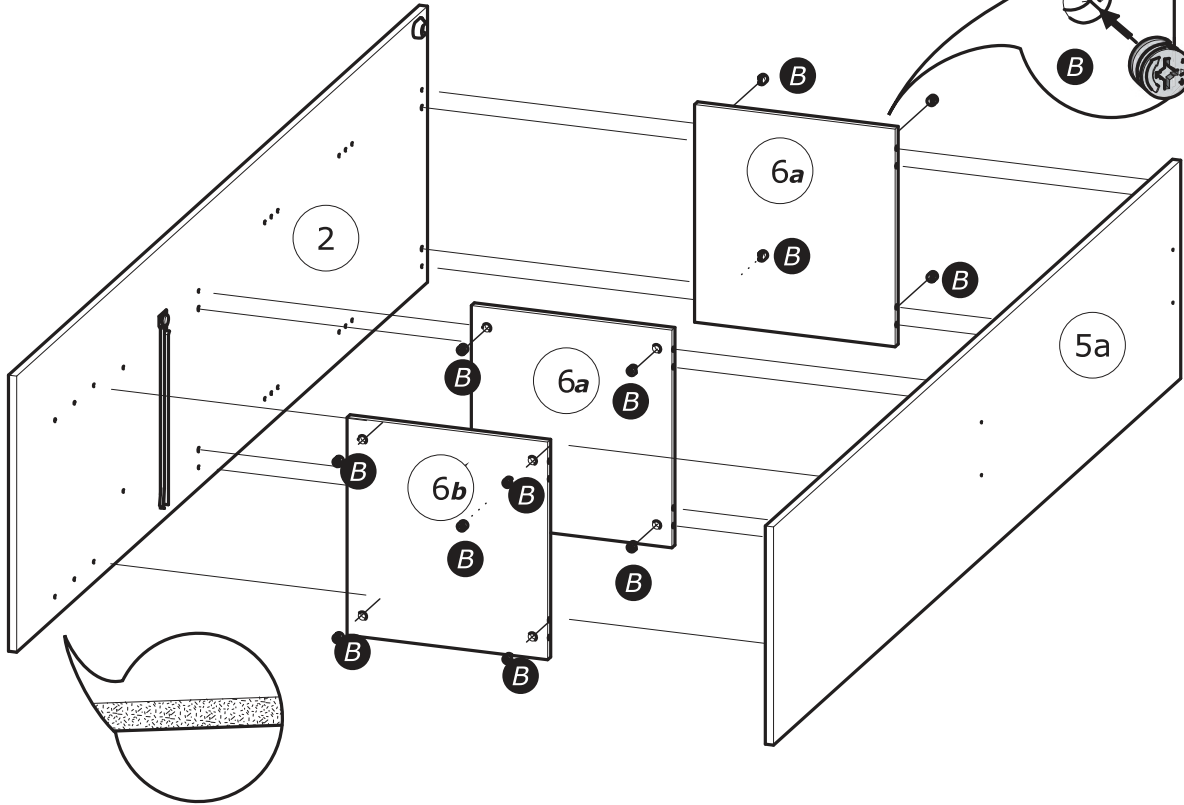


7

B x12



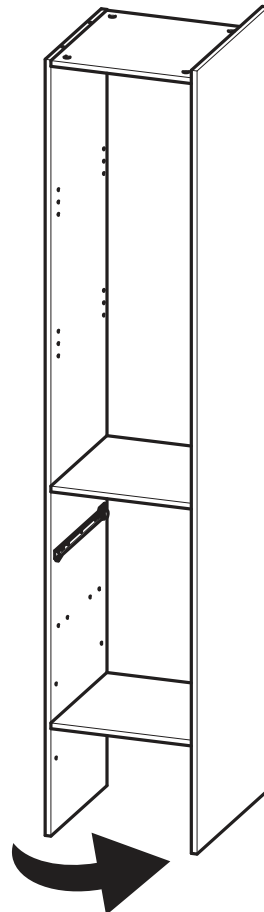
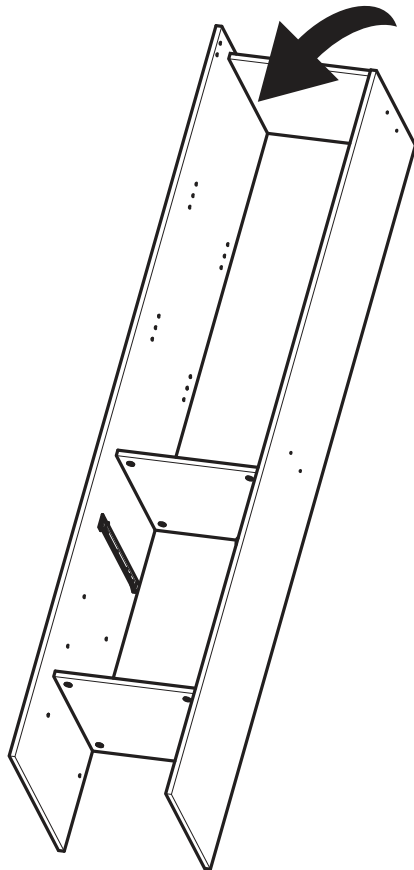
Ø15mm
Ø19/32"

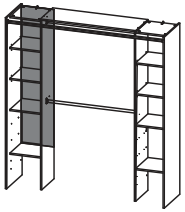


8



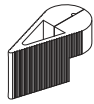
x2



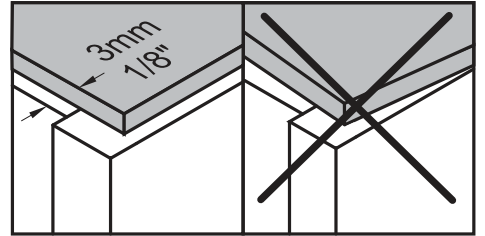


9

O



U x22

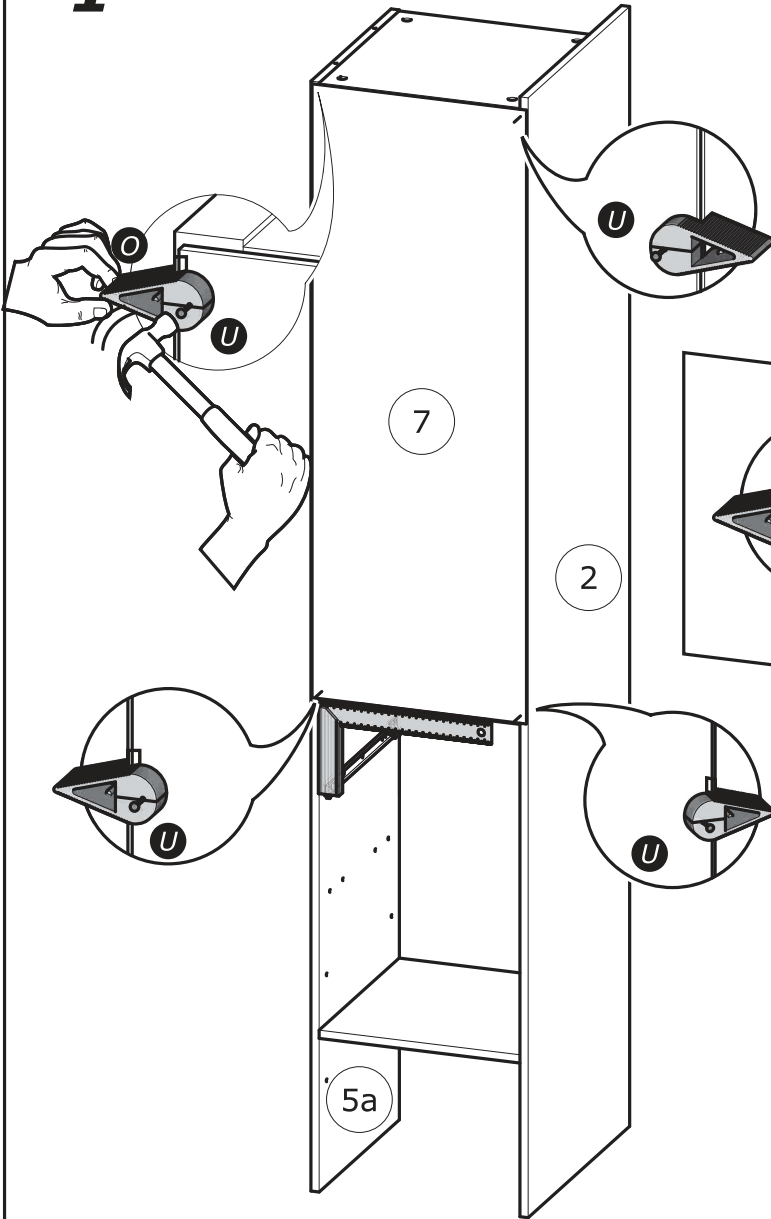


www.Demeyere.fr

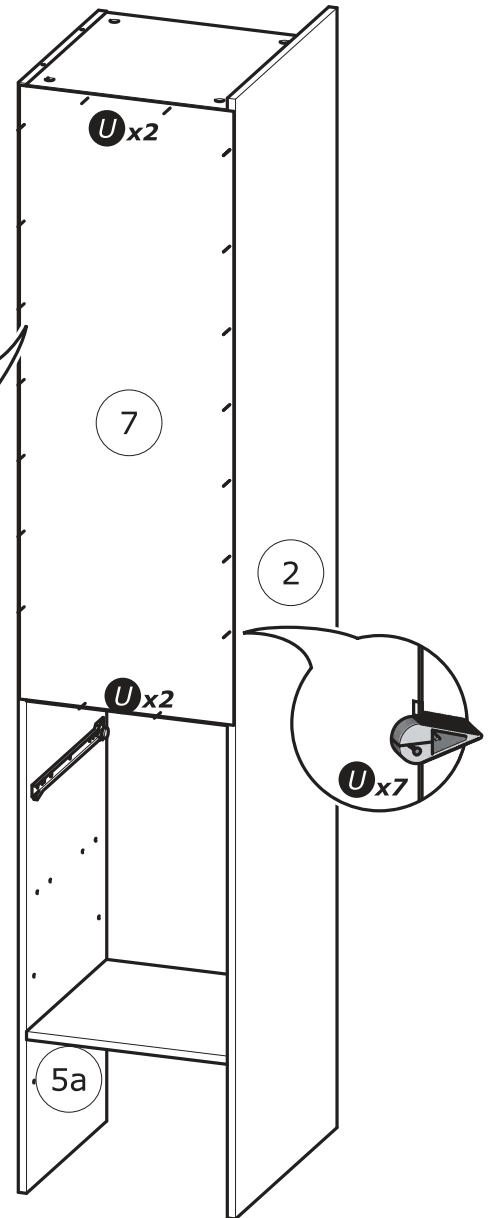


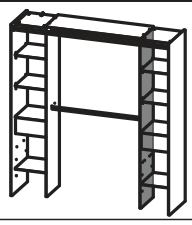
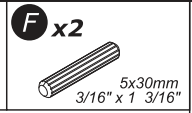
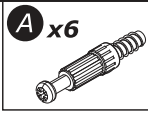
x2

1°

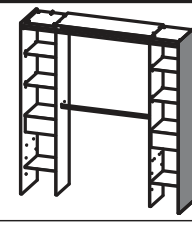
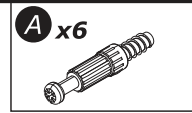
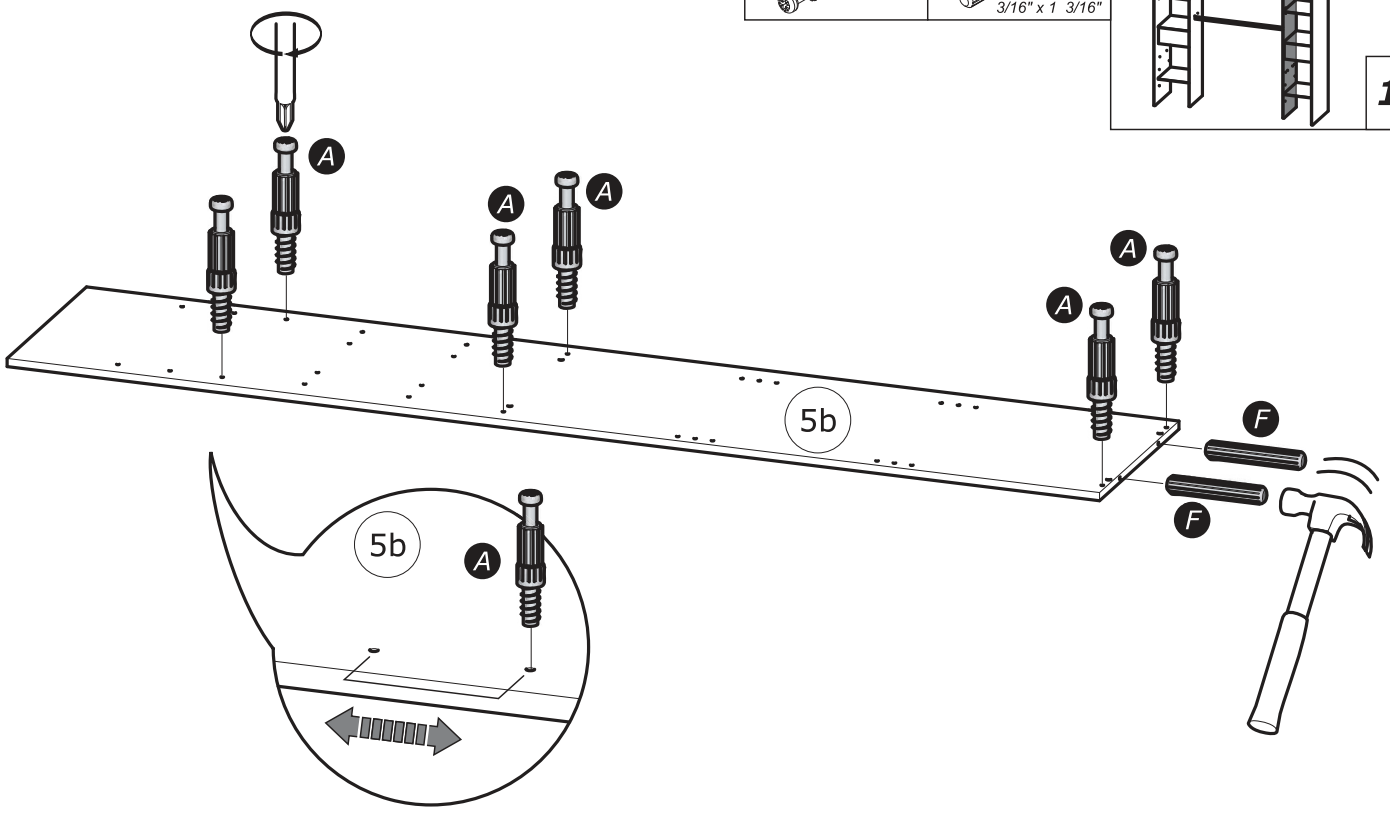


2°

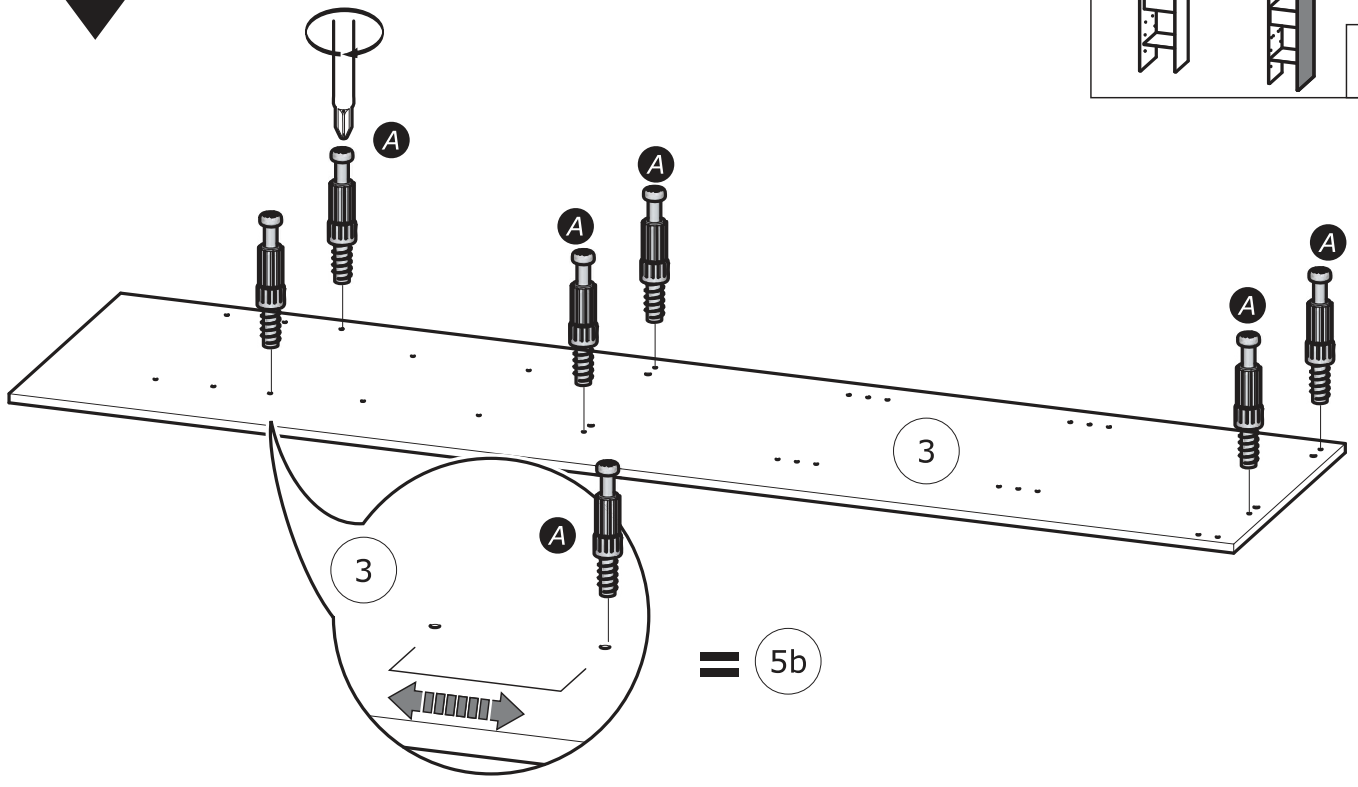


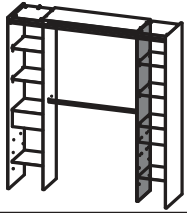


10

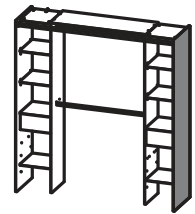
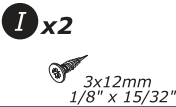
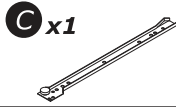
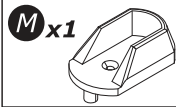
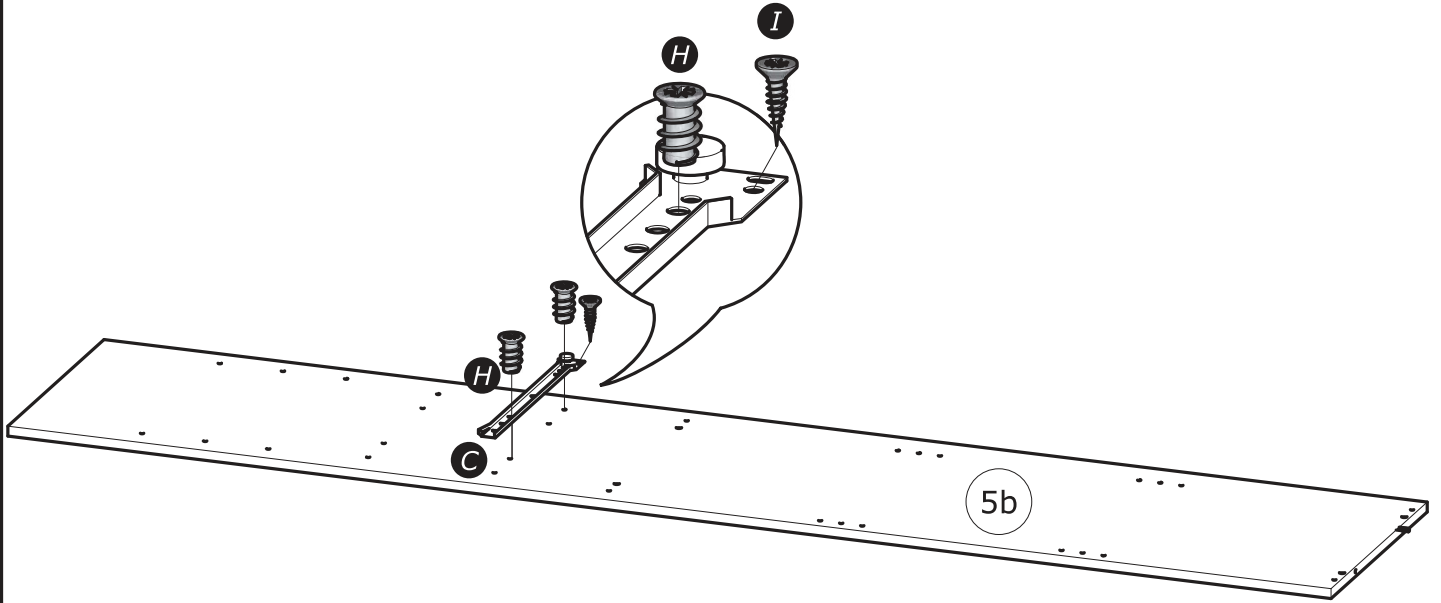
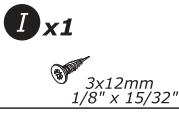
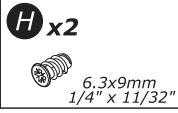
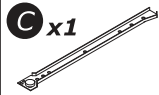


11

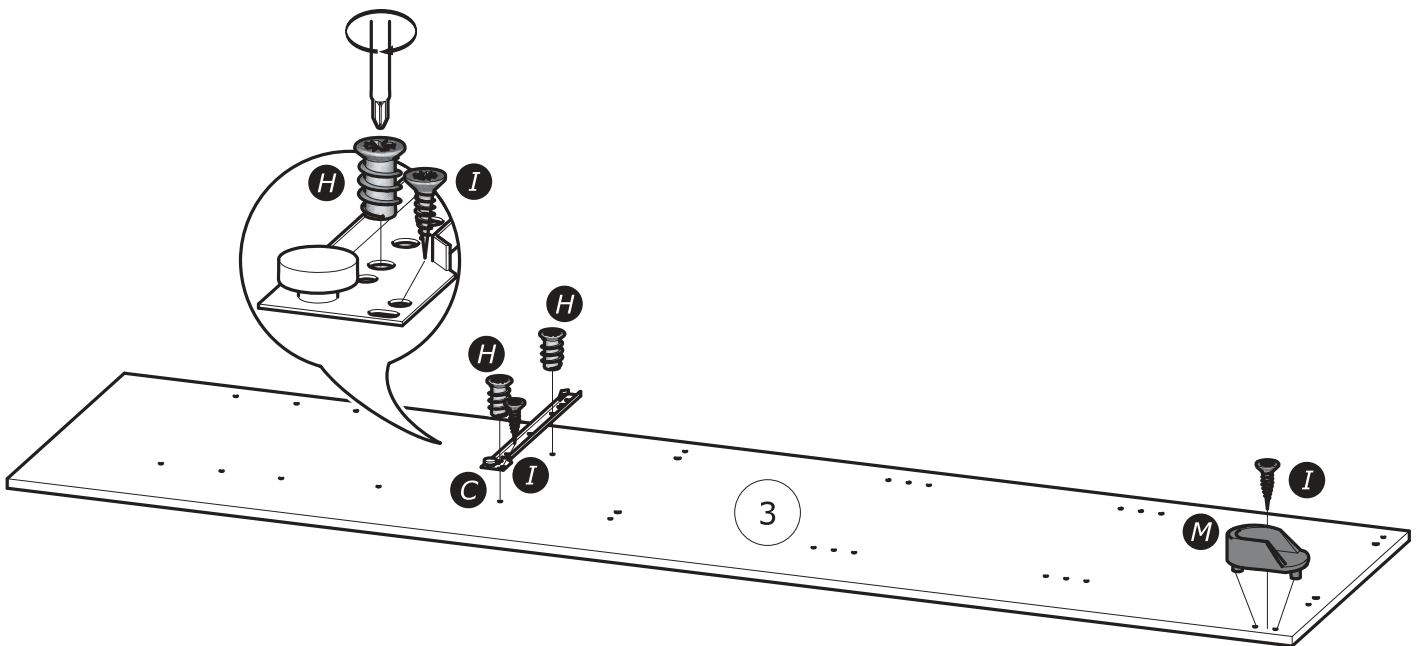


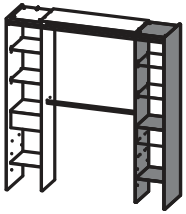


12



13



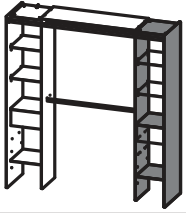
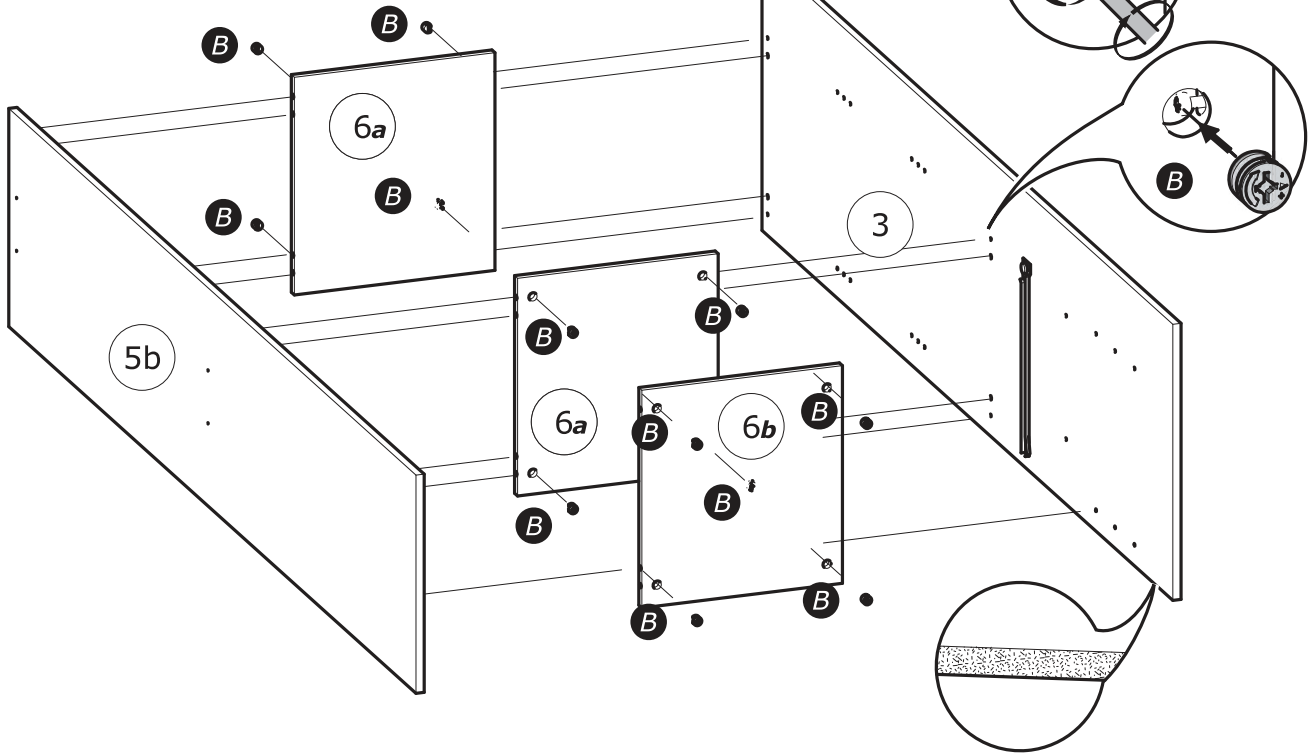


14

B x12



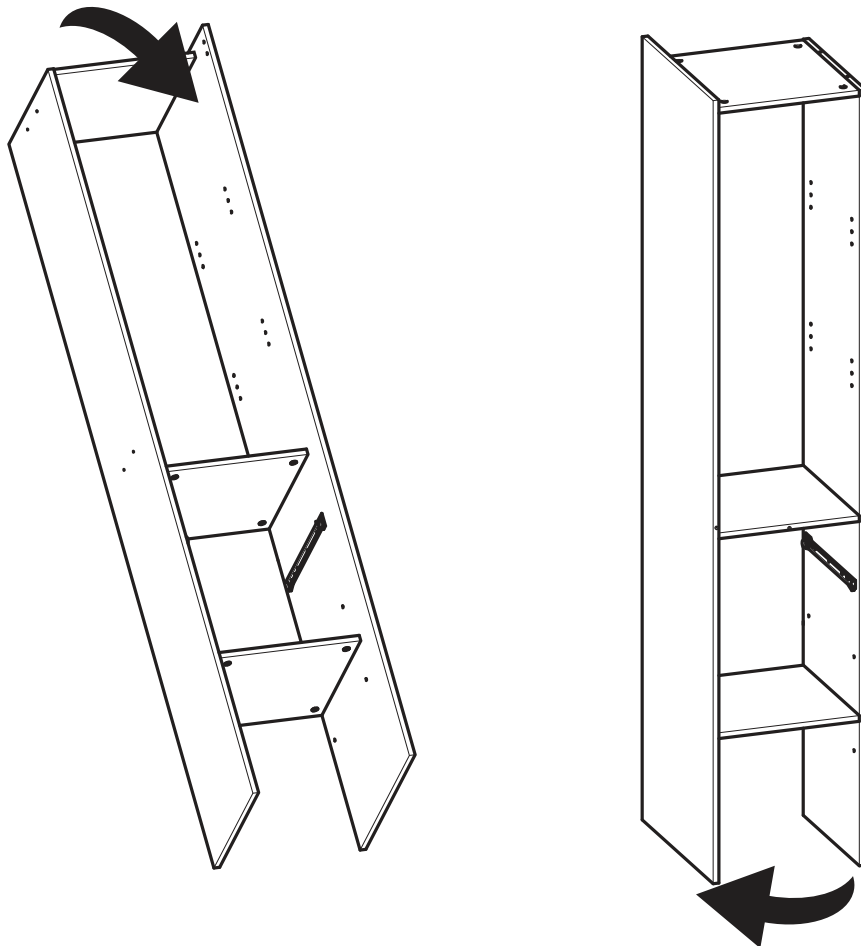
Ø15mm
Ø19/32"

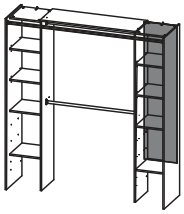


15



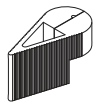
x2



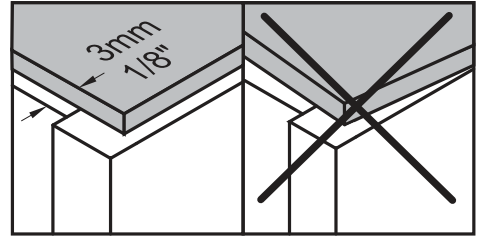


16

O



U x22

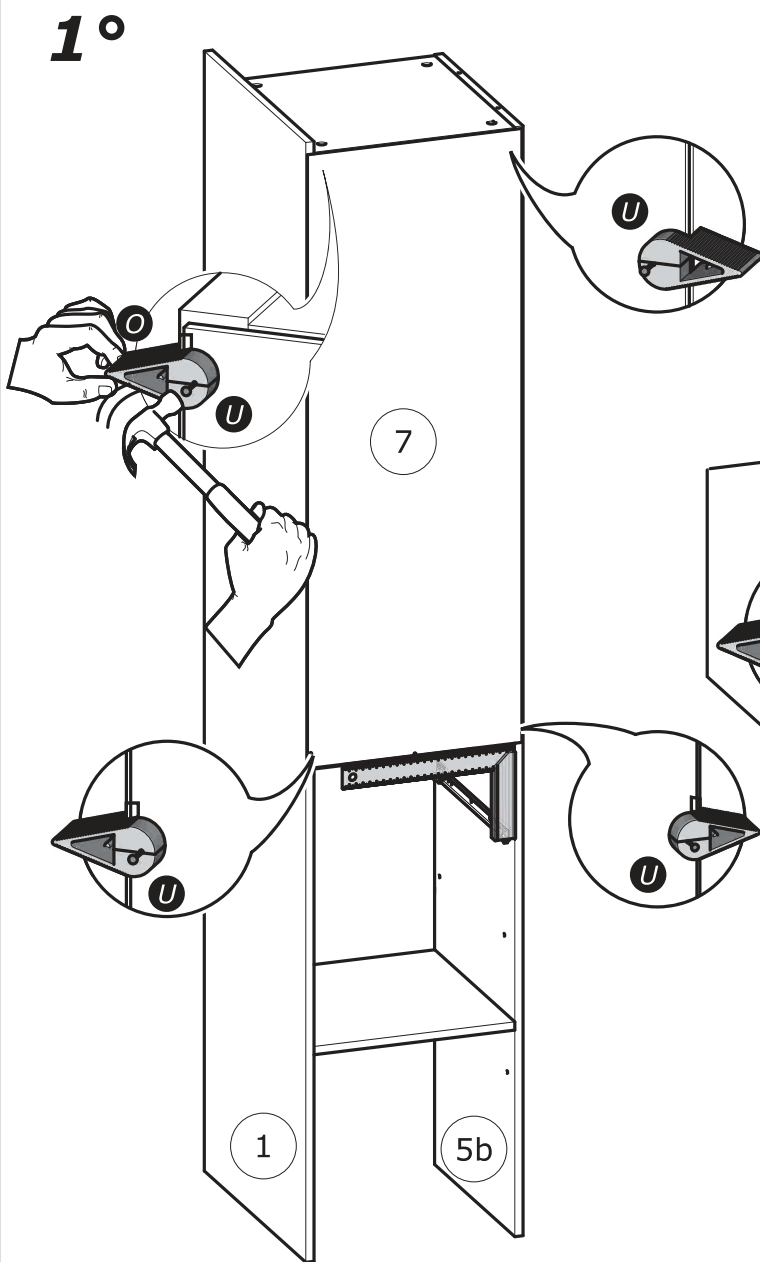


www.Demeyere.fr

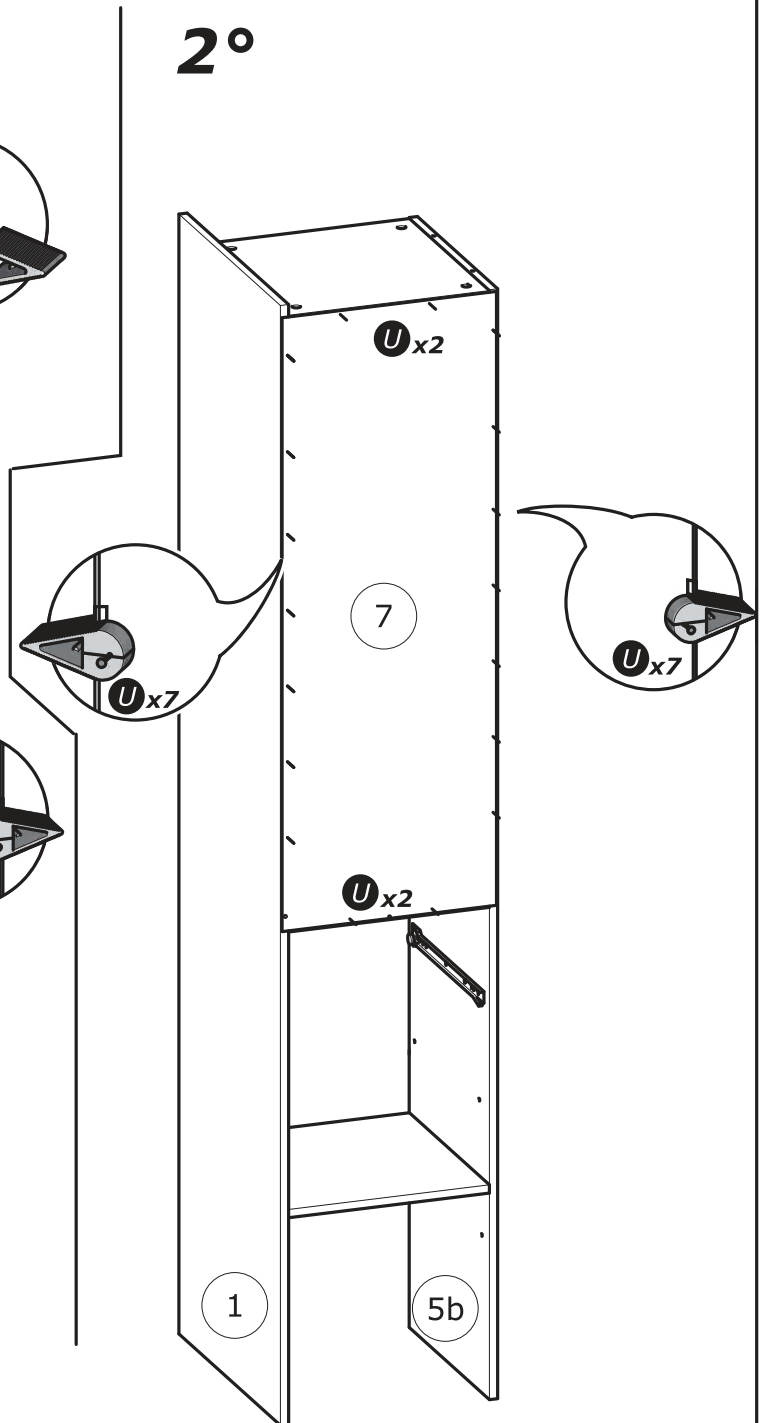


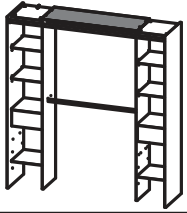
x2

1°

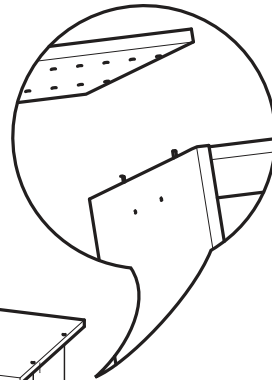
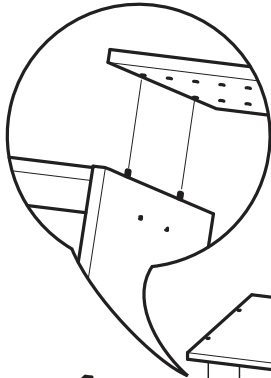
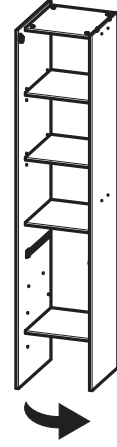
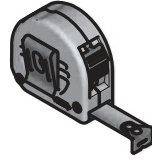
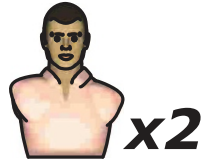


2°





17



3°

4

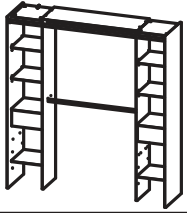
5a

5b

1°

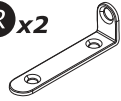
2°

1897 mm MAX
74 11/16"

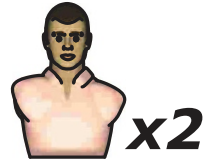
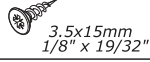


18

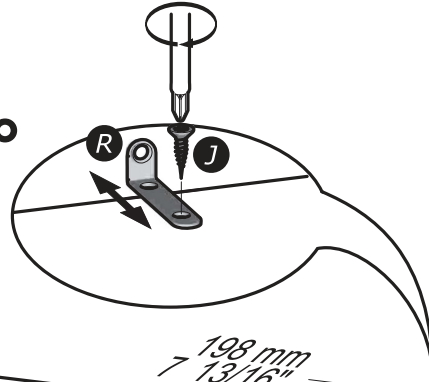
R x2



J x2



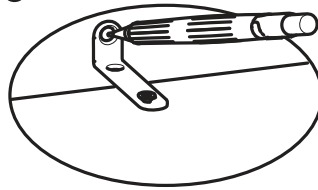
1°



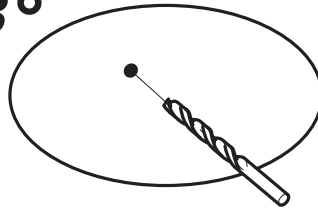
198 mm
7 13/16"

R + J

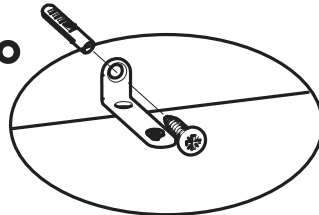
2°



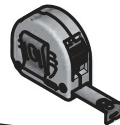
3°

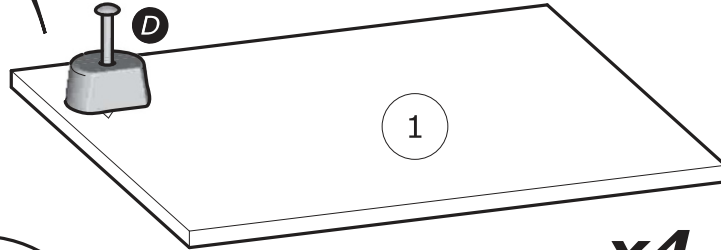
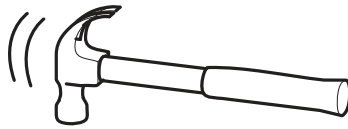
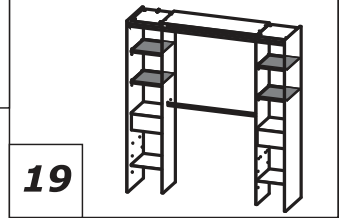
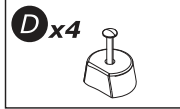
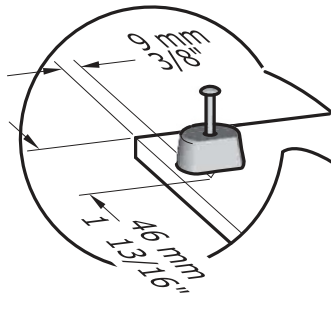


4°

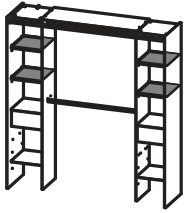
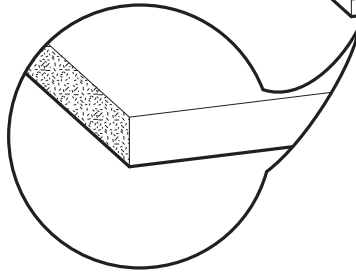


X

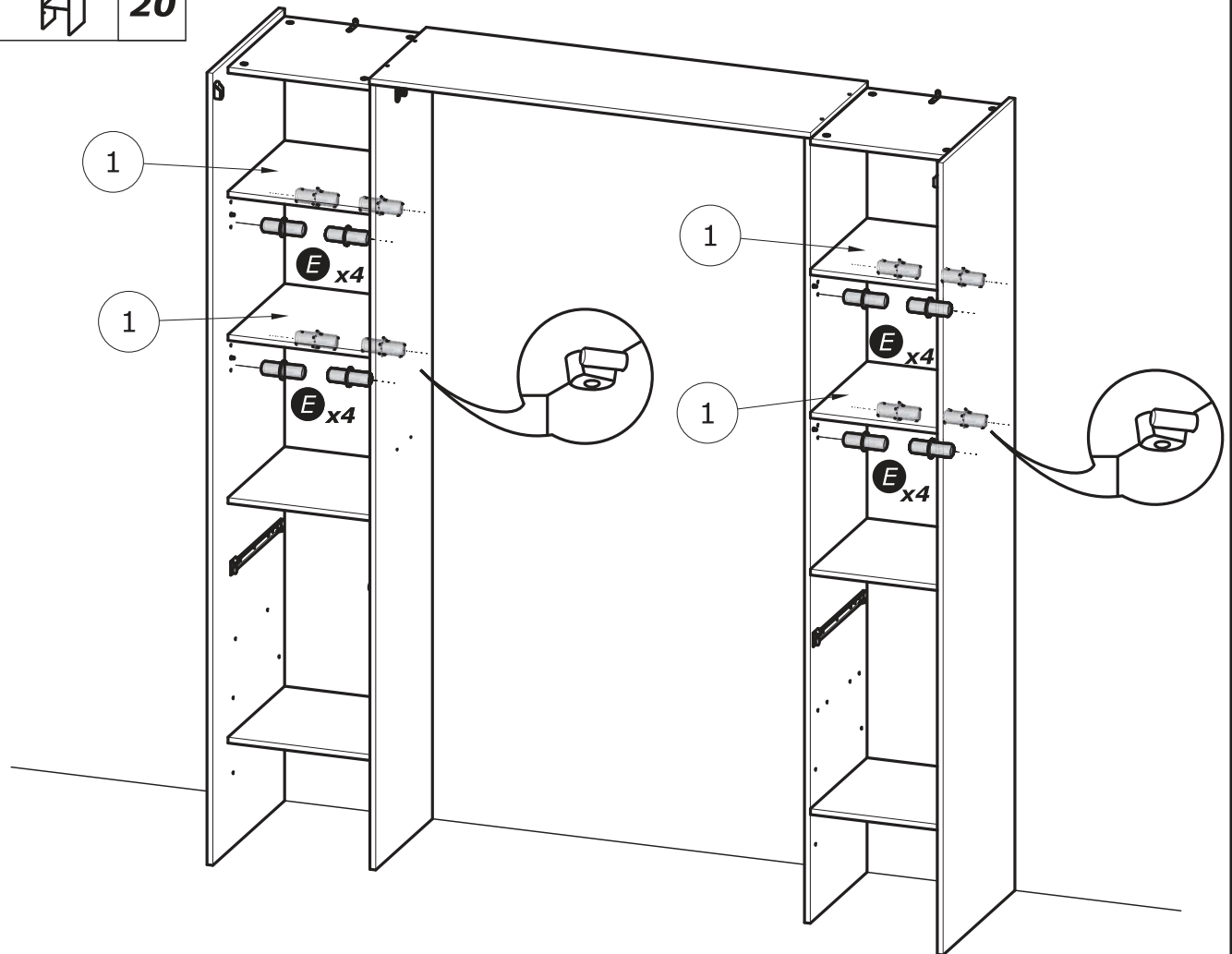


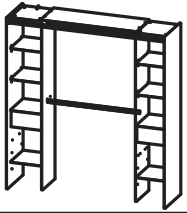


x4

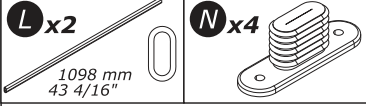


20

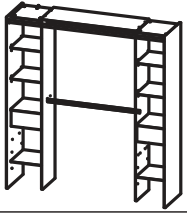
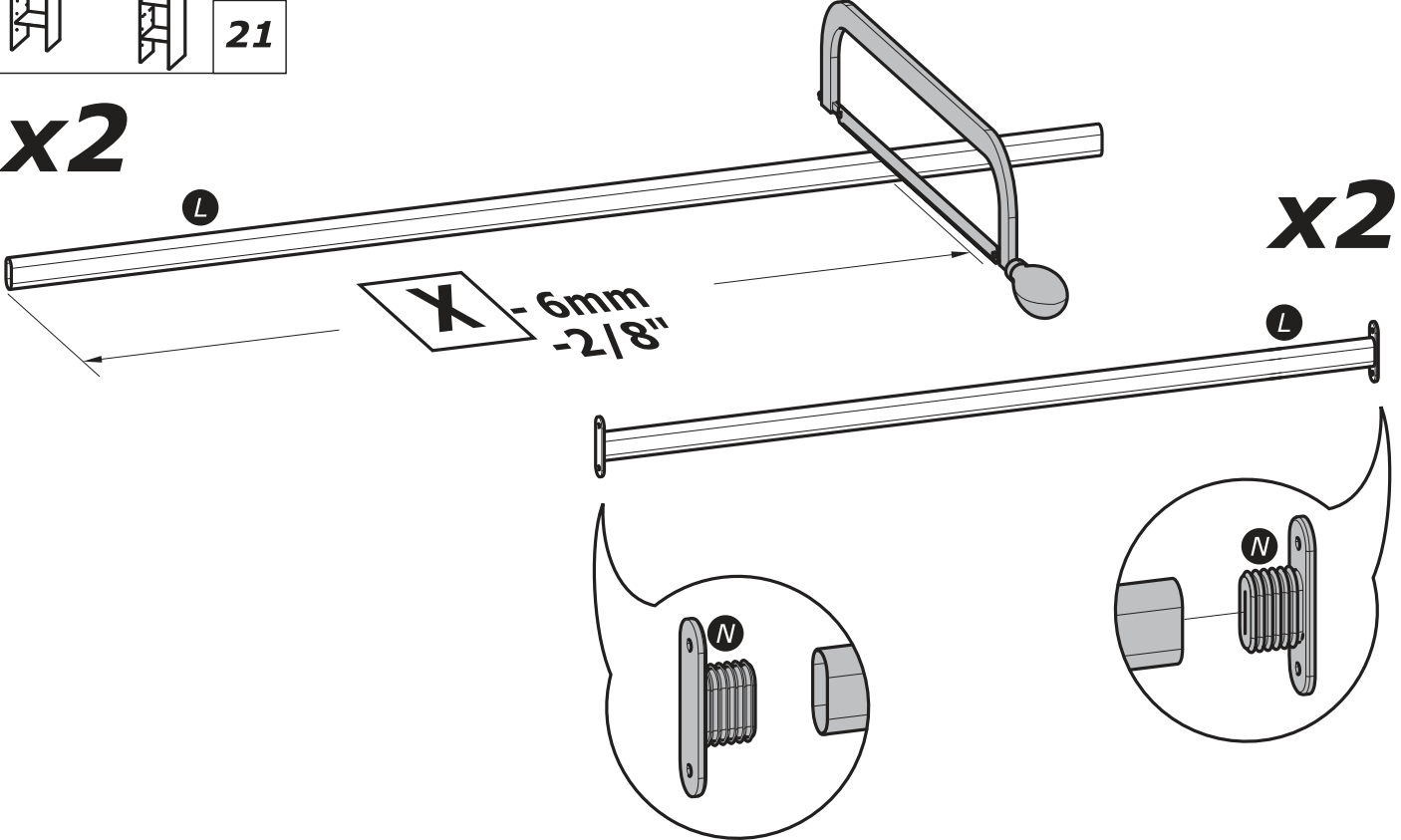




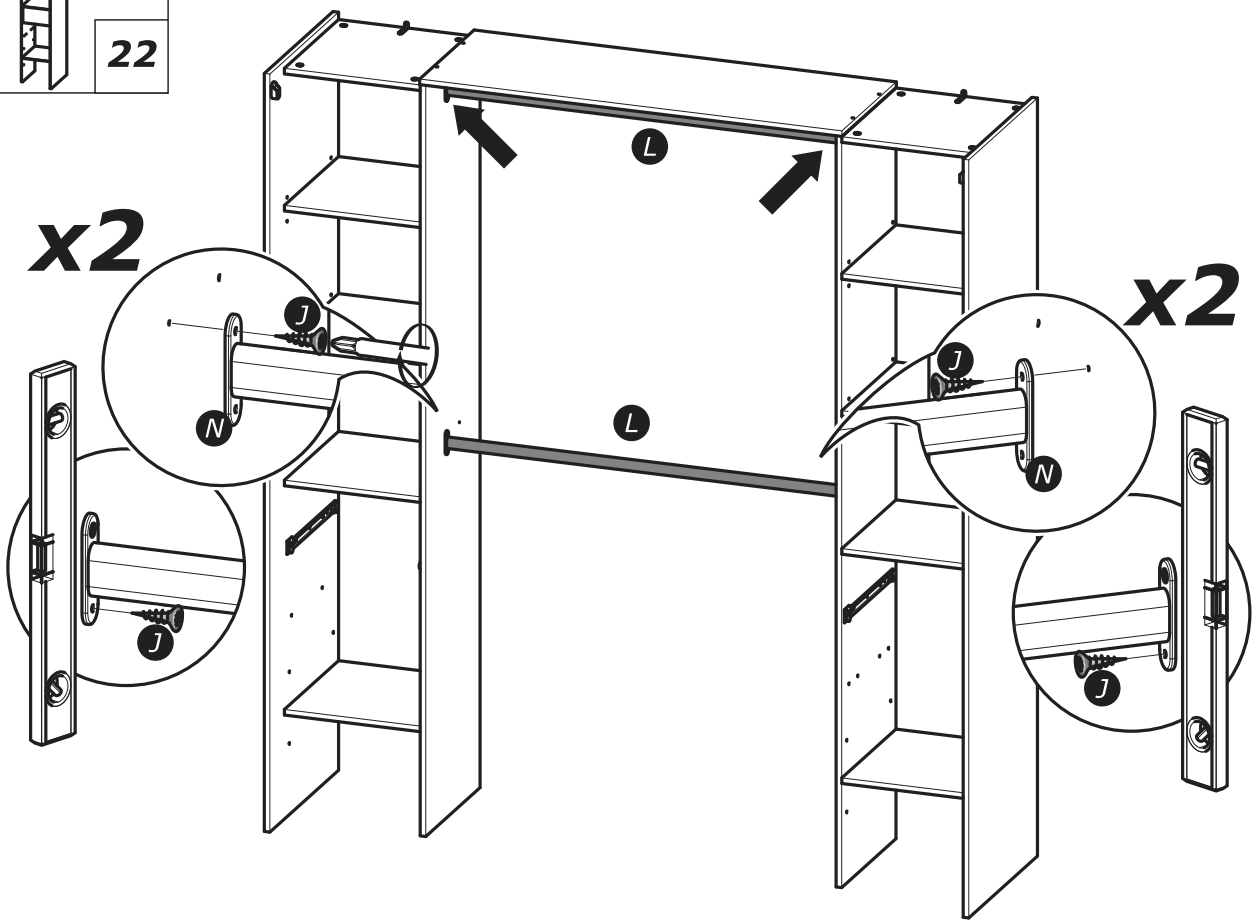
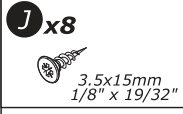
21

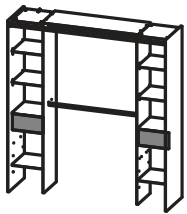


x2

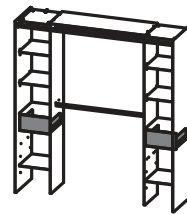
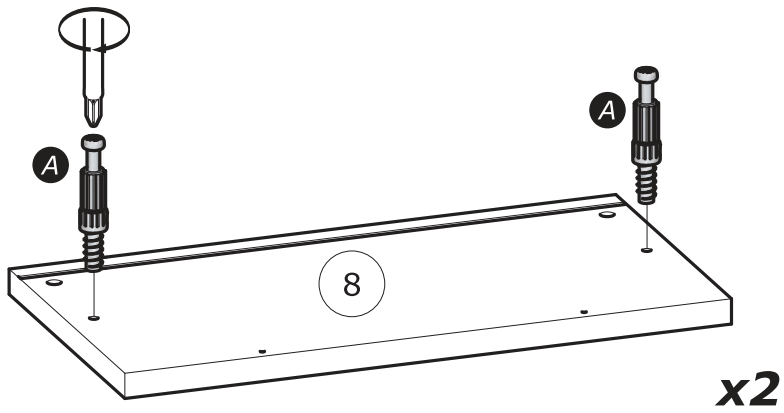
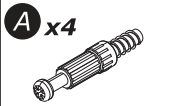


22

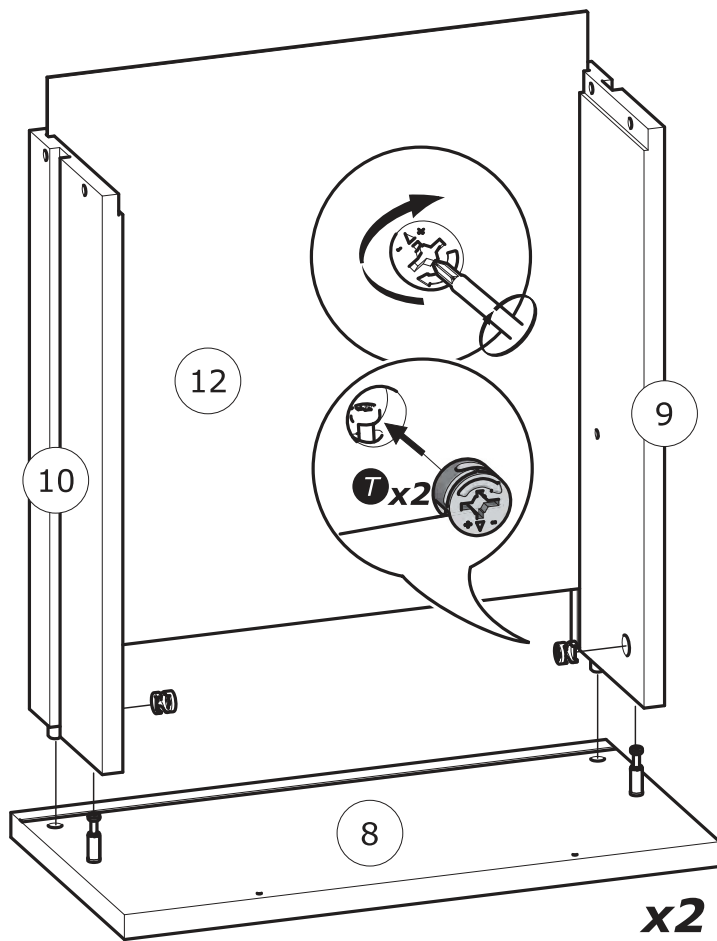


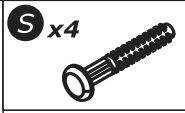
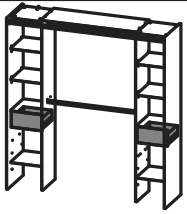


23



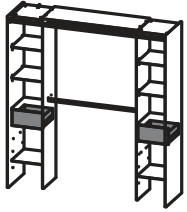
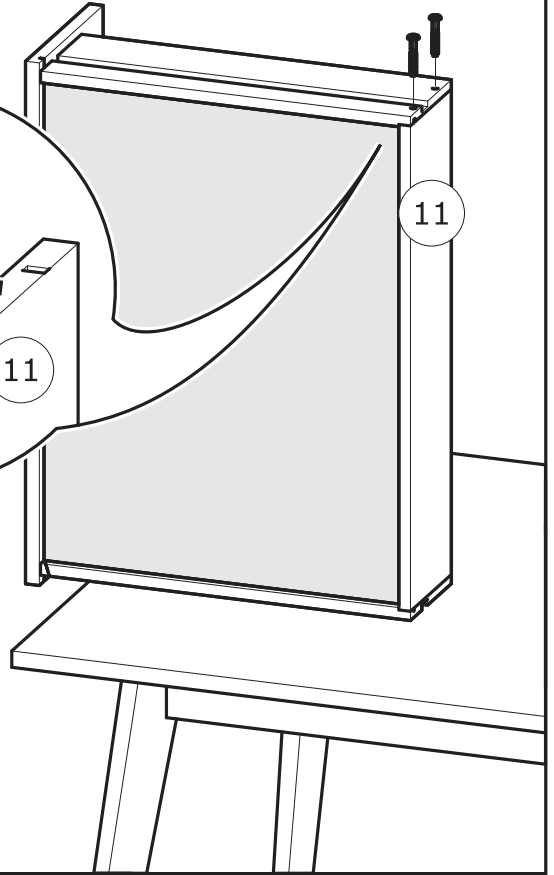
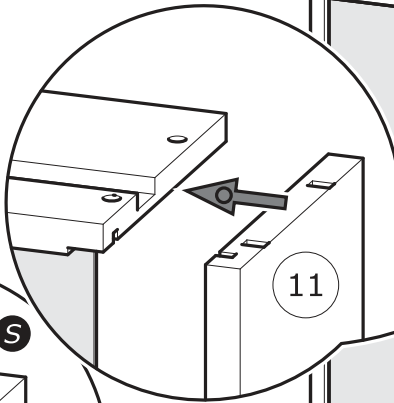
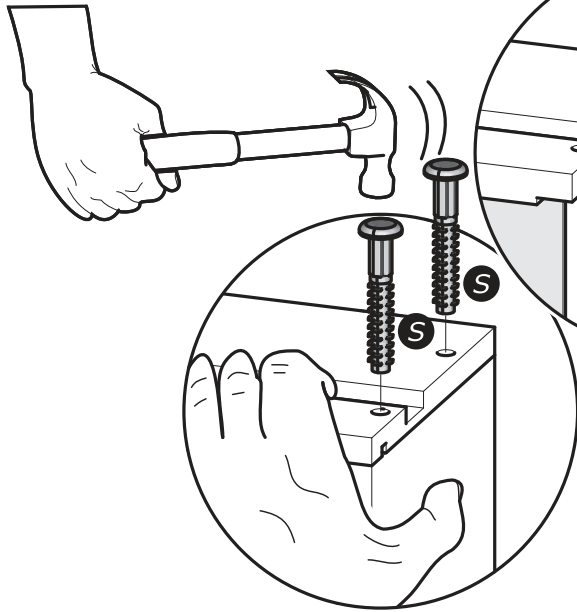
24





25

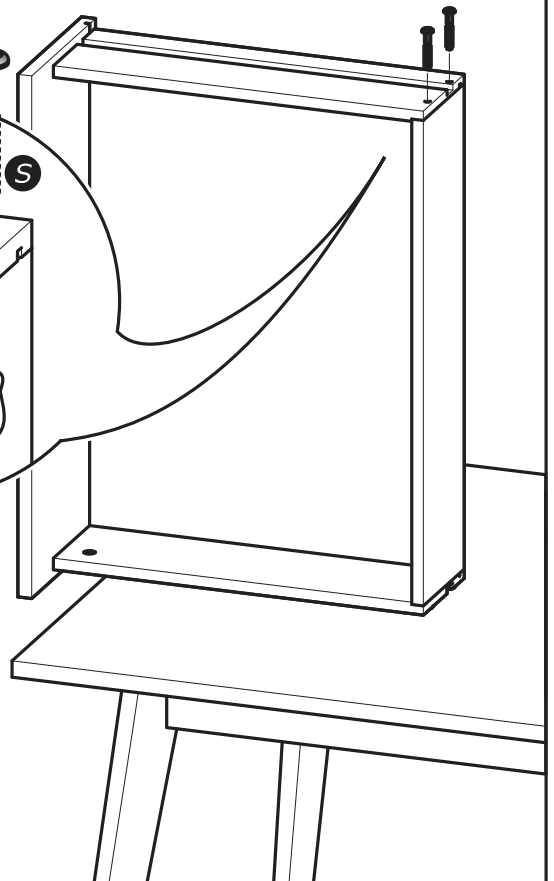
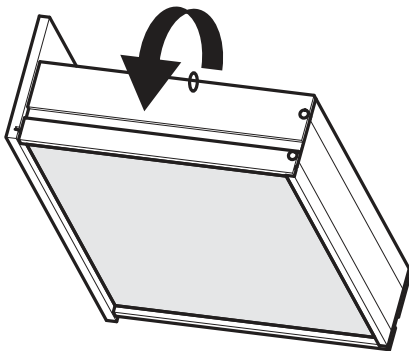
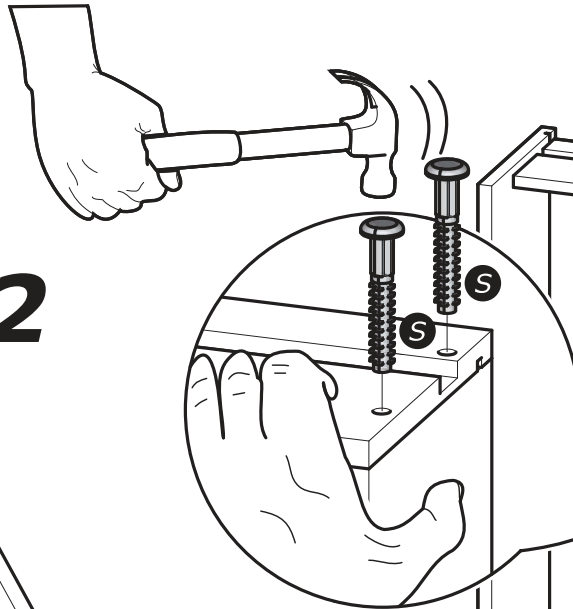
x2

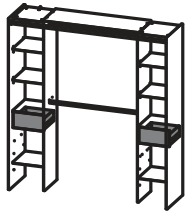


26

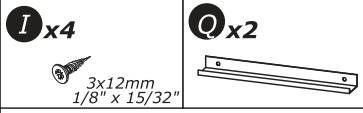


x2

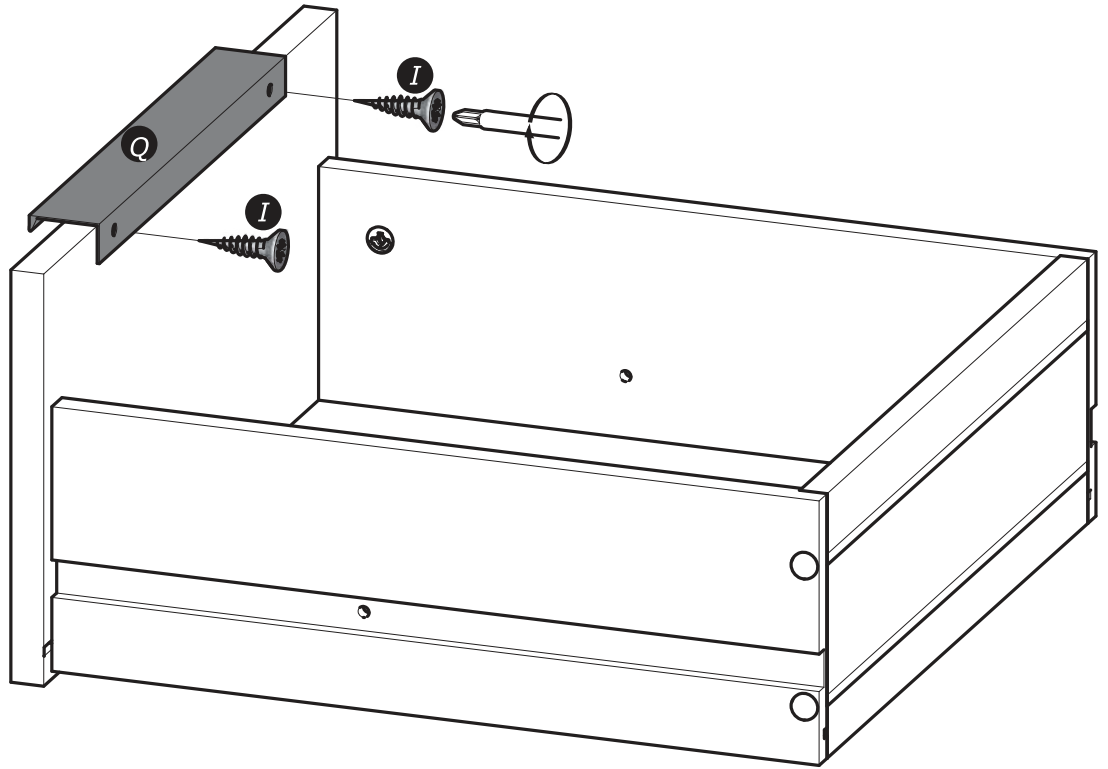




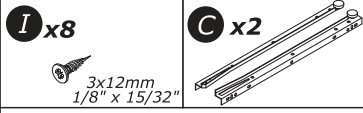
27



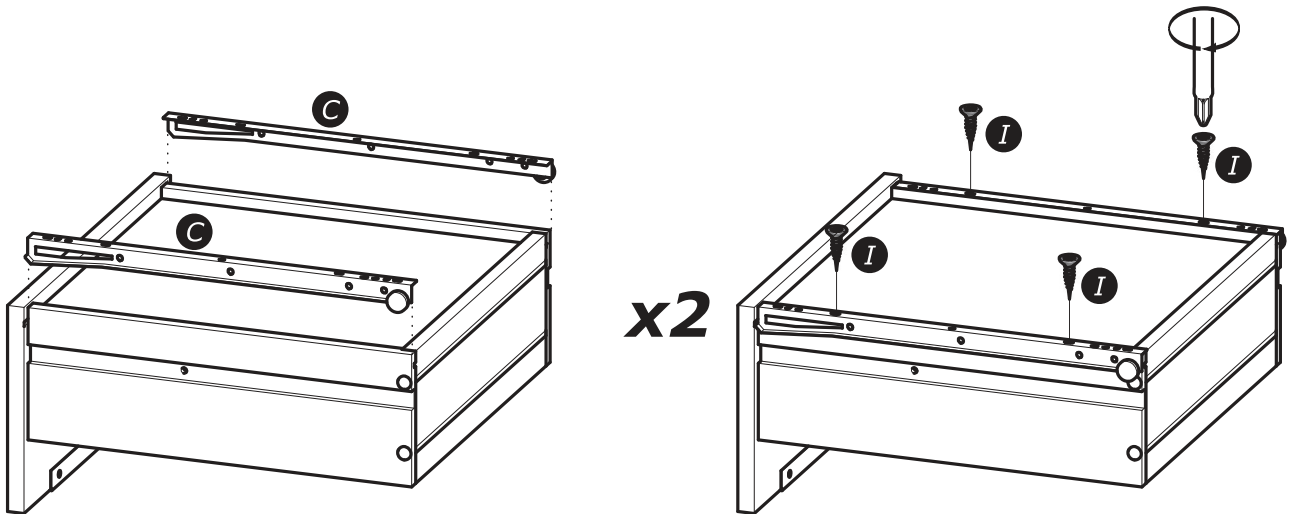
x2

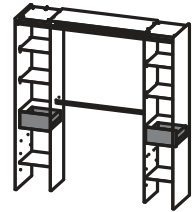


28

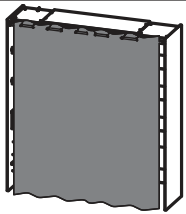
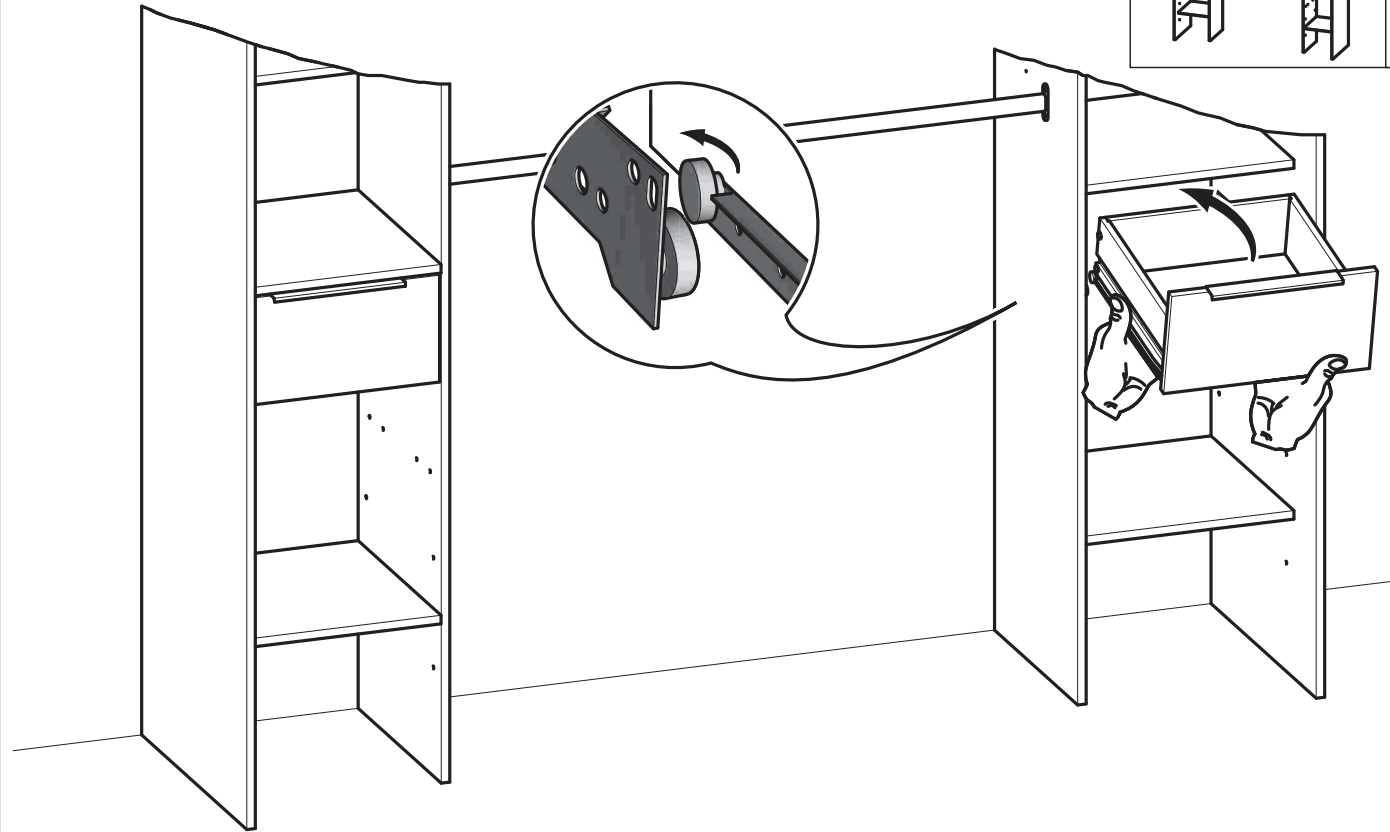


x2



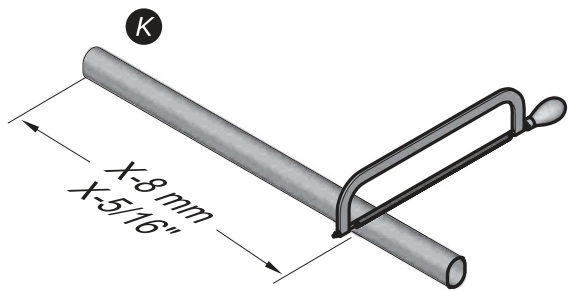
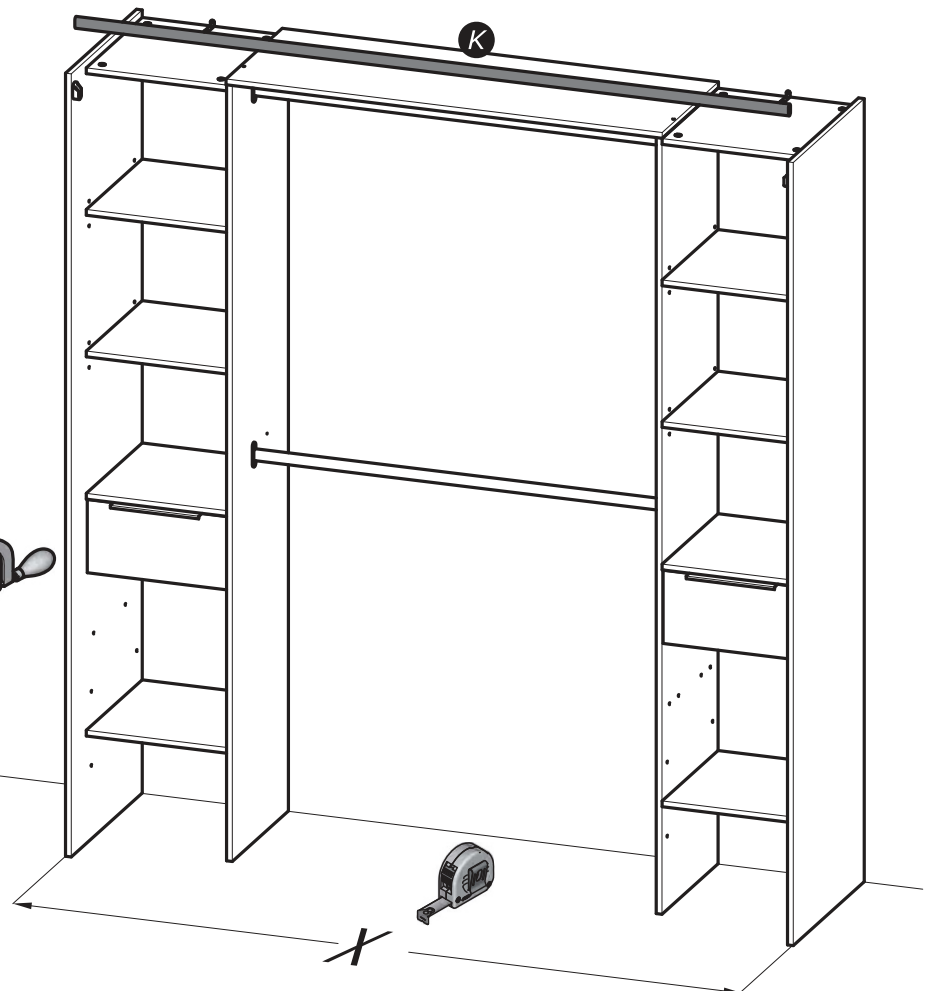


29

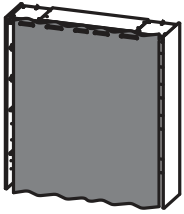


30

K x1
1860 mm
73 4/32"



X-8 mm
X-5 1/16"



31

